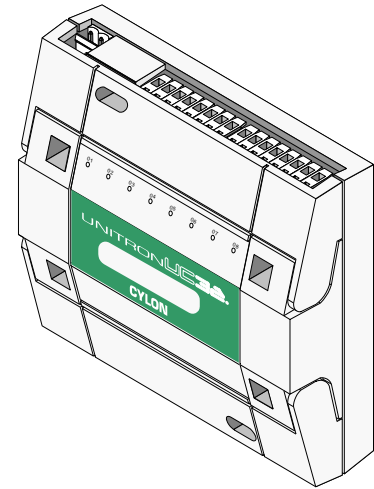


UC32RP8

The **UC32RP8** is an external relay pack with 8 changeover relays. It is used for switching high current loads and mains or 24V AC voltages. It is driven by the 0-10V outputs of a Unitron controller and the relays are opto-isolated from the control input signals.



- 8 Opto-isolated Mains Relays

-
- Switches Inductive Loads up to 5A @ 250V AC or 5A @ 30V DC

-
- Switches Resistive Loads up to 10A @ 250V AC or 10A @ 30V DC
-

The **UC32RP8** controller is part of the **UnitronUC32** range of products, which offers the following benefits:

Unique Flexibility with UniPuts™

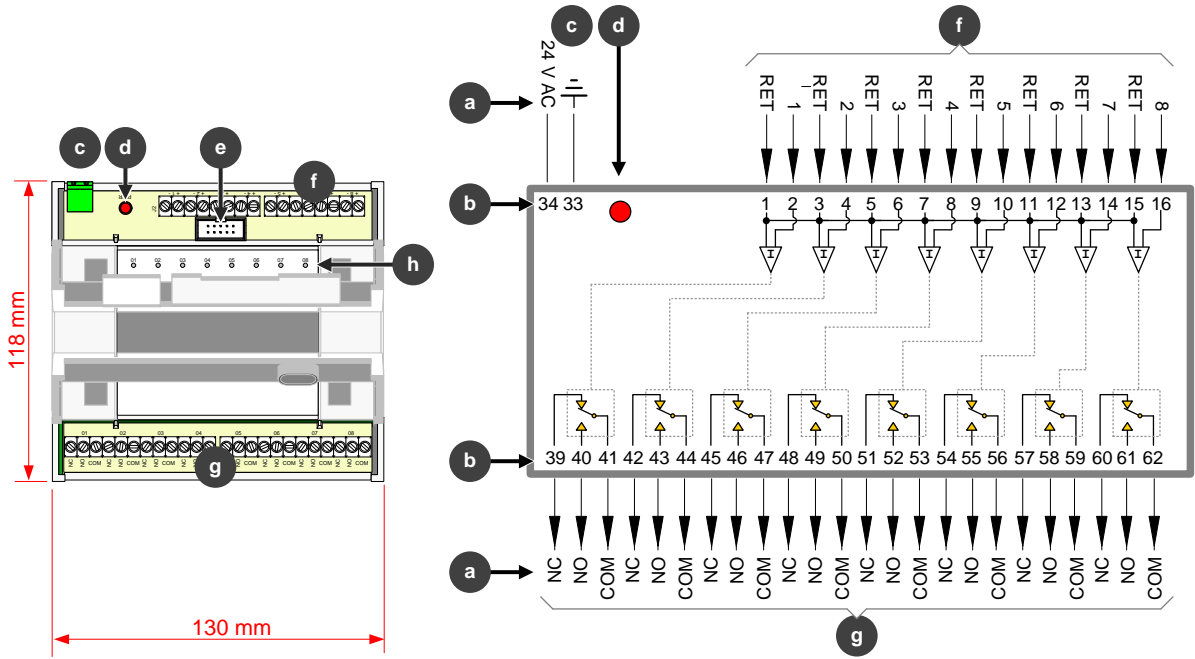
The **UnitronUC32** range uniquely presents **UniPuts™** - a revolutionary answer to flexible point configuration, offering maximised utilisation of controller capacity along with flexibility in strategy changes. Built on a modern web-based architecture, the **UnitronUC32** range has a wide application scope with the flexibility of being stand-alone or network enabled.

Cost Effective, low entry point for building control

The **UnitronUC32** range offers reduced costs in terms of training, implementation, rollout and maintenance. Modular, extendible packages along with low installation costs mean a low entry point for building control. The future-proof **UnitronUC32** range provides forward & backward compatibility, meaning an effortless upgrade path for existing **Unitron** Systems.

Highly programmable and extendable through web-enabled HVAC technology

The **UnitronUC32** range offers an advanced web-based 32-bit architecture, with advanced programmability through the **Cylon Engineering Centre**. Inbuilt diagnostics, along with expanded data logging and strategy storage, is further enhanced by **Uniputs™**, offering up to 8 Universal inputs, up to 8 **Uniputs™** (AI/DI/AO/DO) and up to 8 **Uniputs™** with relays.



	Common
	Unused terminal
a	Point Numbers
b	Terminal Numbers
c	Power 24 V AC
	Important: Earth this controller by connecting the common wire (G ₀) on the secondary side of the 24 V AC transformer to Earth at one point.
d	Power LED (red)
e	10-way quick connector <i>Note: There is no Quick-Connect facility on UnitronUC32/Cylon BACnet controllers. The Quick connector is included for compatibility with legacy products.</i>
f	Inputs
RET	Return <i>Note: The Return terminals are not connected to Common on the Relay Pack</i>
g	Relay outputs
COM	Relay Common
NO	Normally Open
NC	Normally Closed
h	Relay Indicator LEDs When an Indicator LED is ON, the corresponding relay is CLOSED.

Specifications:

MECHANICAL

Size (excluding terminal plugs)	145 x 130 x 45 mm (5.7 x 5.12 x 1.78")
Enclosure	Injection moulded ABS
Mounting	DIN rail

ENVIRONMENT

Note: This equipment is intended for field installation within another enclosure.

Ambient Temperature	0° - 50°C (32°-122°F) ambient.
Ambient Humidity	0% - 90% RH non-condensing
EMC Immunity	EN 50082-1
EMC Emission	EN 55011 Class B

WIRING

Note: Use Copper or Copper Clad Aluminium conductors only.


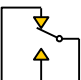
Termination	I/O : PCB mounted screw terminal connections. Power: PCB mounted plug terminal connections.
Conductor Area	Max: AWG 12 (3.09 mm ²) Min: AWG 22 (0.355 mm ²)

ELECTRICAL

Supply Requirements	24 V AC +/- 20% 50/60 Hz
Transformer Rating	8 VA
Indicator	Red light is on when power is supplied

INPUTS/OUTPUTS

Note: Screened cable is recommended for all input connections.

8 Inputs 	Current: 6mA @ 10 V DC each input Voltage: 0 to 10 V DC input only Return: The Return wire is common to all inputs
8 Relay Contacts 	Inductive Load: 5A @ 250V AC or 5A @ 30V DC Resistive Load: 10A @ 250V AC or 10A @ 30V DC Normally Open and Normally Closed contacts are available Note: Relays opto-isolated from outputs of controllers.