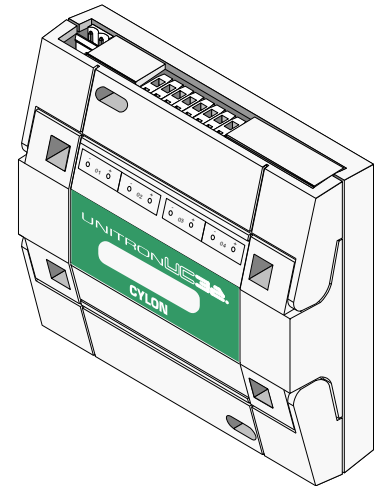


# UC32R/L4

The UC32R/L4 is an external relay pack with 4 pairs of relays, which can be used in Raise/Lower or Binary mode.



- **Raise/Lower mode**  
with safe interlock for motor protection

---

- **Binary mode**  
converts 4 analog inputs to 8 digital outputs

---

- **8 Relays can switch Inductive Loads**  
up to 5A @ 250V AC or 5A @ 30V DC

---

- **8 Relays can switch Resistive Loads**  
up to 10A @ 250V AC or 10A @ 30V DC

The UC32R/L4 controller is part of the **UnitronUC32** range of products, which offers the following benefits:

### Unique Flexibility with UniPuts™

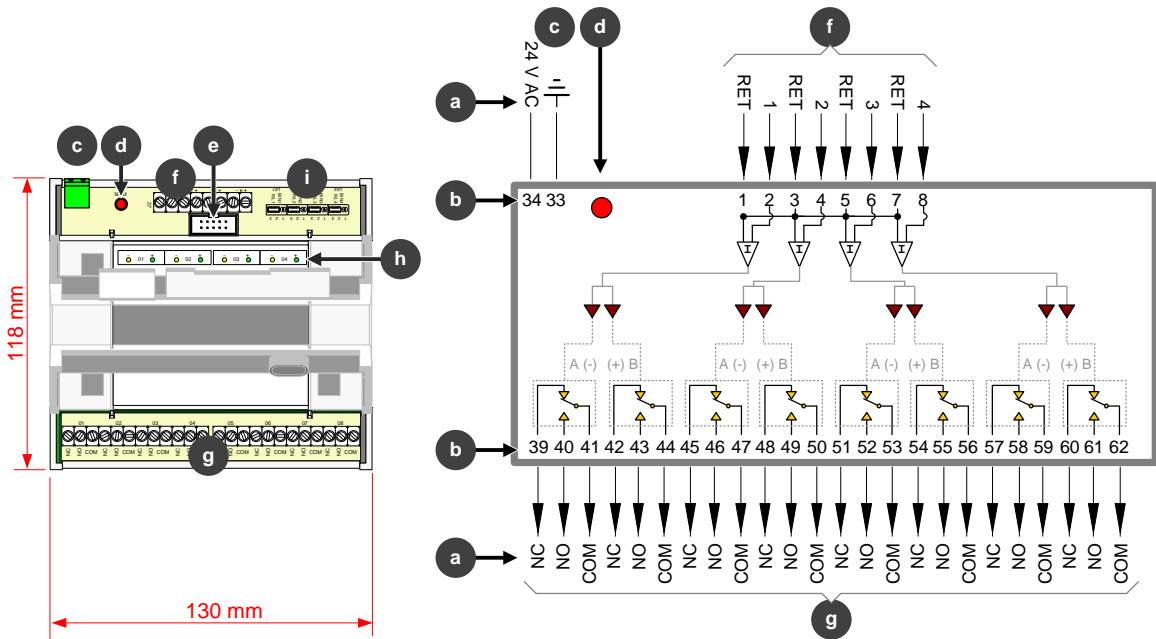
The **UnitronUC32** range uniquely presents **UniPuts™** - a revolutionary answer to flexible point configuration, offering maximised utilisation of controller capacity along with flexibility in strategy changes. Built on a modern web-based architecture, the **UnitronUC32** range has a wide application scope with the flexibility of being stand-alone or network enabled.

### Cost Effective, low entry point for building control

The **UnitronUC32** range offers reduced costs in terms of training, implementation, rollout and maintenance. Modular, extendible packages along with low installation costs mean a low entry point for building control. The future-proof **UnitronUC32** range provides forward & backward compatibility, meaning an effortless upgrade path for existing **Unitron** Systems.

### Highly programmable and extendable through web-enabled HVAC technology

The **UnitronUC32** range offers an advanced web-based 32-bit architecture, with advanced programmability through the **Cylon Engineering Centre**. Inbuilt diagnostics, along with expanded data logging and strategy storage, is further enhanced by **Uniputs™**, offering up to 8 Universal inputs, up to 8 **Uniputs™** (AI/DI/AO/DO) and up to 8 **Uniputs™** with relays.



	Common
	Unused terminal
<b>a</b>	Point Numbers
<b>b</b>	Terminal Numbers
<b>c</b>	Power 24 V AC
<b>d</b>	Power LED (red)
<b>e</b>	10-way quick connector <i>Note: There is no Quick-Connect facility on Unitron UC32/Cylon BACnet controllers. The Quick connector is included for compatibility with legacy products.</i>
<b>f</b>	Inputs
<b>RET</b>	Return <i>Note: The Return terminals are not connected to Common <math>\perp</math> on the Relay Pack</i>
<b>g</b>	Relay outputs
<b>COM</b>	Relay Common
<b>NO</b>	Normally Open
<b>NC</b>	Normally Closed
<b>h</b>	LED Indicators Each relay pair is represented by a pair of LEDs, one yellow (marked "-") and one green (marked "+"). When an LED is on, the corresponding relay contact is closed.
	State of Relay Contacts when Green LED is off.
<b>i</b>	Mode Selection jumpers
	Relay Pair set for Raise-Lower interlock.
	Relay Pair set for Binary conversion.

## Specifications:

### MECHANICAL

Size (excluding terminal plugs)	145 x 130 x 45 mm (5.7 x 5.12 x 1.78")
Enclosure	Injection moulded ABS
Mounting	DIN rail

### ENVIRONMENT

**Note:** This equipment is intended for field installation within another enclosure.

Ambient Temperature	0° - 50°C (32° - 122°F) ambient.
Ambient Humidity	0% - 90% RH non-condensing
EMC Immunity	EN 50082-1
EMC Emission	EN 55011 Class B

### WIRING


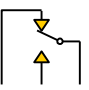
**Note:** Use Copper or Copper Clad Aluminium conductors only.

Termination	I/O : PCB mounted screw terminal connections. Power: PCB mounted plug terminal connections.
Conductor Area	Max: AWG 12 (3.09 mm <sup>2</sup> ) Min: AWG 22 (0.355 mm <sup>2</sup> )

### ELECTRICAL

Supply Requirements	24 V AC +/- 20% 50/60 Hz
Transformer Rating	8 VA

### INPUTS/OUTPUTS

8 Inputs 	Current: 6mA @ 10V DC each input Voltage: 0 to 10V DC input only Return: The Return wire is common to all inputs
8 Relay Contacts 	Inductive Load: 5A @ 250V AC or 5A @ 30V DC Resistive Load: 10A @ 250V AC or 10A @ 30V DC Normally Open and Normally Closed contacts are available

## CONFIGURATION

There are two modes of operation: Raise/Lower and Binary conversion.

Four links under the terminal cover allow mode selection for each pair of relays.

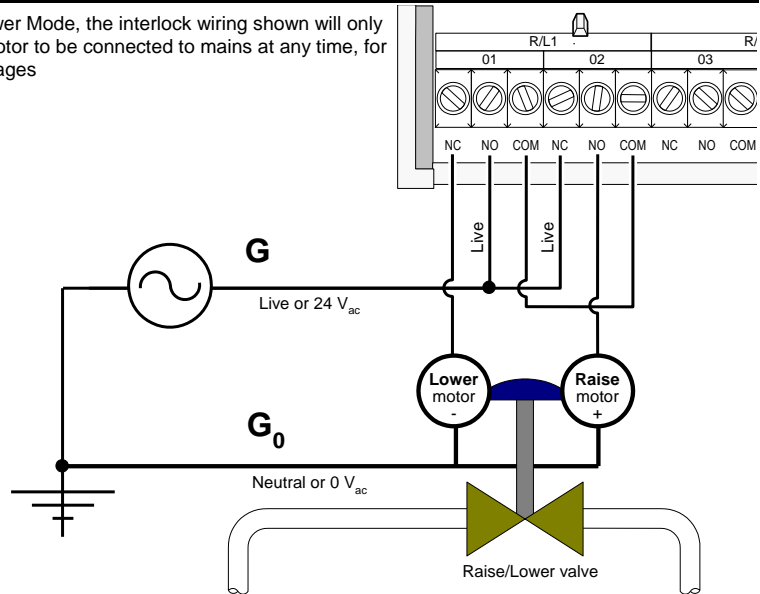
Any combination of Raise/Lower or Binary Mode outputs possible, e.g. 1 R/L and 3 Binary Mode outputs.

Each RL/4 input allows two relays to be controlled by one UC controller output

### Raise/Lower Interlock Mode

Red LED (24 Vac supply)	Input	Relay A (-)	Relay B (+)	Yellow LED (-)	Green LED (+)	Contact Status
Off	Don't Care	Off	Off	Off	Off	Lower motor powered
On	0 V	Off	Off	On	Off	Lower motor powered
On	5 V	On	Off	Off	Off	No power to either motor
On	10 V	On	On	Off	On	Raise motor powered

In Raise/Lower Mode, the interlock wiring shown will only allow one motor to be connected to mains at any time, for all input voltages



### Binary Conversion mode

Red LED (24 Vac supply)	Input	Relay A (-)	Relay B (+)	Yellow LED (-)	Green LED (+)
Off	Don't Care	Off	Off	Off	Off
On	0 V	Off	Off	Off	Off
On	4 V	On	Off	On	Off
On	7 V	On	On	On	On
On	10 V	Off	On	Off	On