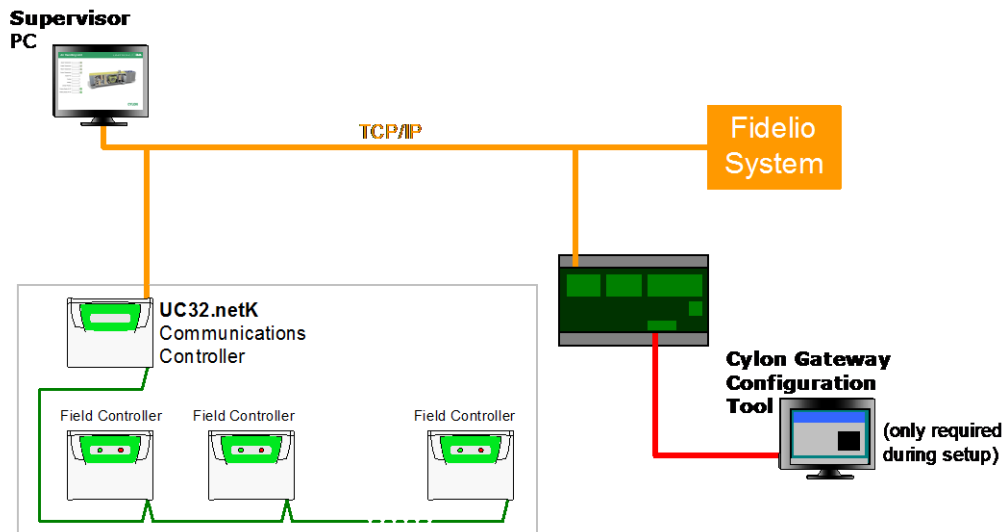


# Cylon Fidelio Gateway

The Cylon Fidelio Gateway provides an interface between Unitron BMS networks and Fidelio system, allowing Unitron to read room check-in status.



## Unitron - FIDELIO integration Solution



## Standard mounting

DIN Rail Mountable  
Powered by 24VAC

## Simple configuration

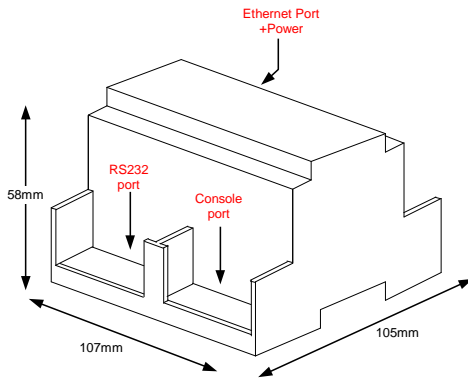
Easily configured using Cylon Gateway Configuration Tool software  
Designed to interface directly with UC32.netK Communications Controllers.

## Integrates with UnitronUC32 site

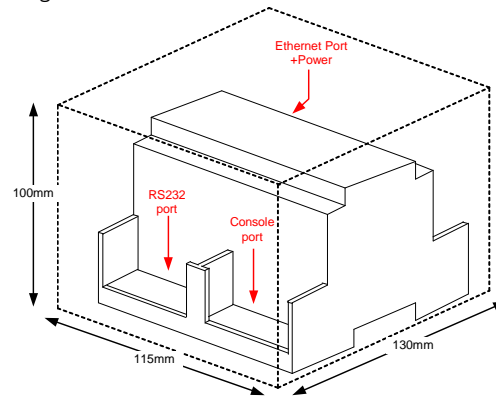
Fidelio system, Gateway and UnitronUC32 system on the same LAN.  
Gateway can map check in/out status data from up to 2000 rooms to 2000 Unitron Digital Points.



## Dimensions



Free space recommended to install the device into a cabinet (wall or DIN rail mounting), with space enough for external connections:



## Specifications:

### Mechanical & electrical characteristics

Enclosure	Plastic, type PC (UL 94 V-0). Dimensions: 107mm x 105mm x 58mm.
Colour	Light Grey. RAL 7035.
Power	9 to 30VDC +/- 10% 1 W. 15 to 24VAC +/- 10% 1,2VA. Plug-in terminal bloc for power connection (2 poles). Earth terminal.
Internal back-up battery	Lithium 3v, CR2032 type, interchangeable. <sup>1</sup>
Mounting	Surface. Wall. DIN rail EN60715 TH35 (Also possible to mount in TH15 and G32 rail using additional accessory).
LAN port	1 x Ethernet 10BT RJ45
LED indicators	1 x Power. 2 x Fidelio port activity (Tx, Rx). 2 x Ethernet port link and activity (LNK, ACT).
Console port	RS232. DB9 female connector (DCE).
Configuration	Via console port. <sup>2</sup>
Firmware	Allows upgrades via console port.
Operational temperature	-40°C to +70°C
Operational humidity	5% to 95%, non condensing
Protection	IP20 (IEC60529).
RoHS conformity	Compliant with RoHS directive (2002/95/CE).

<sup>1</sup> The battery is installed into a socket (easily interchangeable). The battery life is approx. **1.6 years** in stock conditions (device not powered). In normal use conditions (device powered during at least 90% of the time since factory battery installation) the battery life will be the maximum in this kind of batteries, 10 years approx.

<sup>2</sup> Standard cable DB9male-DB9female 1.8 meters long is supplied with the device for connection to a PC COM port for configuring and monitoring the device. The configuration software, compatible with Windows® operating systems, is also supplied.

## Communications

Communication with Unitron System	TCP/IP
Communication with Fidelio FIAS interface	TCP/IP
Maximum capacity	up to 50 Field Controllers, 2000 datapoints (rooms), 2000 WriteOuts.
Interactivity with Fidelio FIAS interface	<ul style="list-style-type: none"> <li>• Check-in.</li> <li>• Check-out.</li> <li>• Database synchronisation.</li> </ul>

## Configuration

Software	Cylon Gateway Configuration Tool (downloadable from : <a href="http://www.cylon.com/support/UnitronUC32/software/software.php">http://www.cylon.com/support/UnitronUC32/software/software.php</a> )
Cable	In order to connect the PC to the Fidelio gateway for configuration purposes, an RS232 cable similar to order no. CC09/CAB is required.

## ABOUT UNITRONUC32

Cylon Fidelio Gateway is part of the UnitronUC32 range of products, which offers the following benefits:

### Unique Flexibility with UniPut™ I/O

The UnitronUC32 range uniquely presents UniPut I/O, a revolutionary answer to flexible point configuration, offering maximized utilisation of controller capacity along with flexibility in strategy changes. Built on a modern, web-based architecture, the UnitronUC32 range has a wide application scope with the flexibility of being stand-alone or network enabled. Easily customisable, the UnitronUC32 range has optional internal or external keypads for a powerful yet user-friendly interface, matched by extensive monitoring and logging capabilities.

### The right integration at the right level

The Unitron UC32 solution provides a wide choice of integration options including BACnet, Modbus, Fidelio, KNX, and OPC. Cylon's philosophy is to provide an open system that is truly future proof. With Modbus, Fidelio and KNX, Cylon offers high performance Fieldbus integration. BACnet is the international standard that provides peer to peer integration over TCP/IP. OPC Server extends UnitronUC32 integration beyond building services.